

# HEXPARKET PRODUCT INFORMATION

## Hexparket

Junckers Hexparket is produced as untreated hexagonal tiles in 3 separate pieces, see fig. 1. Each tile is provided with a groove on all sides. Delivered with loose tongues, 180 mm of length.

### Nominal Board Dimensions:

Thickness: 20.5 mm ( $\pm 0.2$  mm)  
Size: 370 x 370 x 370 mm ( $\pm 0.5$  mm)

Drying Methods: Kiln dried.

### Moisture Content, MC:

Oak: 8 % ( $\pm 2$  %)  
Black Oak: 9% ( $\pm 2$  %)

NH<sub>3</sub> treatment of Black Oak means that MC can't be measured by using a conventional moisture meter but must be measured by the "dry weight method".

Precision Engineering: Landing Deviation: 0.4 mm.

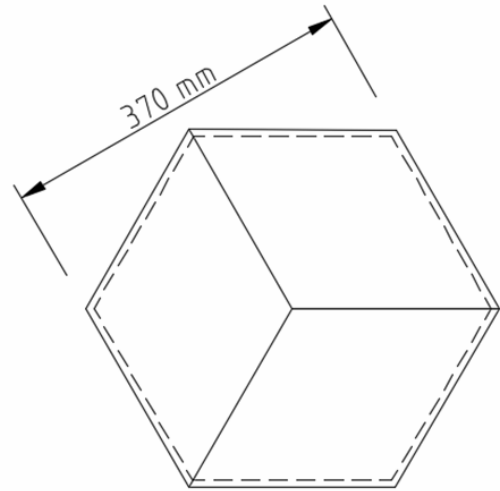


Fig. 1

## TECHNICAL PROPERTIES

Resistance to Indentation: 3.4 Hardness Brinell

Fire Classification: D<sub>fl</sub> – S<sub>1</sub> (DIN EN 13501-1: 2002)

Thermal Conduction: (Transmission Coefficient):  
Approx. 0,17 W/mK

Heat Resistance: Approx. 0.12 m<sup>2</sup> K/W

Surface: Final sanding to grit 150

## PRODUCT RANGE

Wood Species	Tile size [mm]	Grade	Surface
Oak Black Oak	20.5 x 370 x 370 x 370	Harmony	Untreated

## PACKING AND WEIGHT

The tiles are wrapped in LDPE plastic.

Tiles / m <sup>2</sup>	Tiles / pack	m <sup>2</sup> / pack	Kg / pack
8,44	8	0,95	14